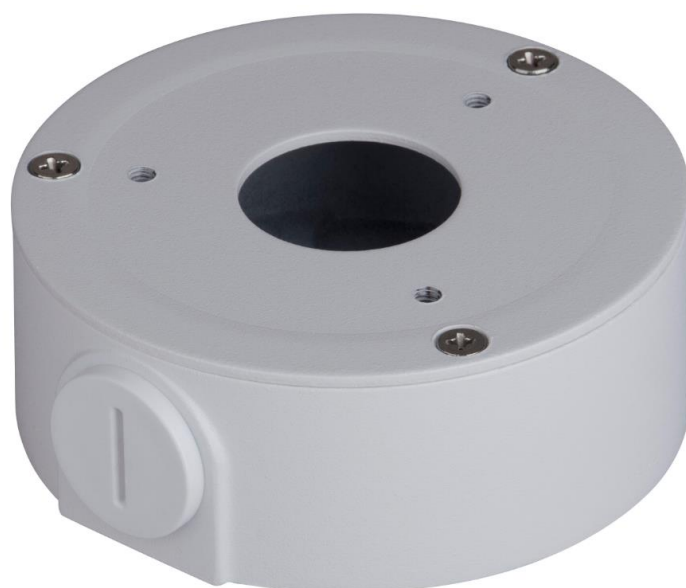


# DH-PFA134

## Water-proof Junction Box



### Features

- Aesthetic design
- Material: aluminum & SECC
- Water-proof junction box

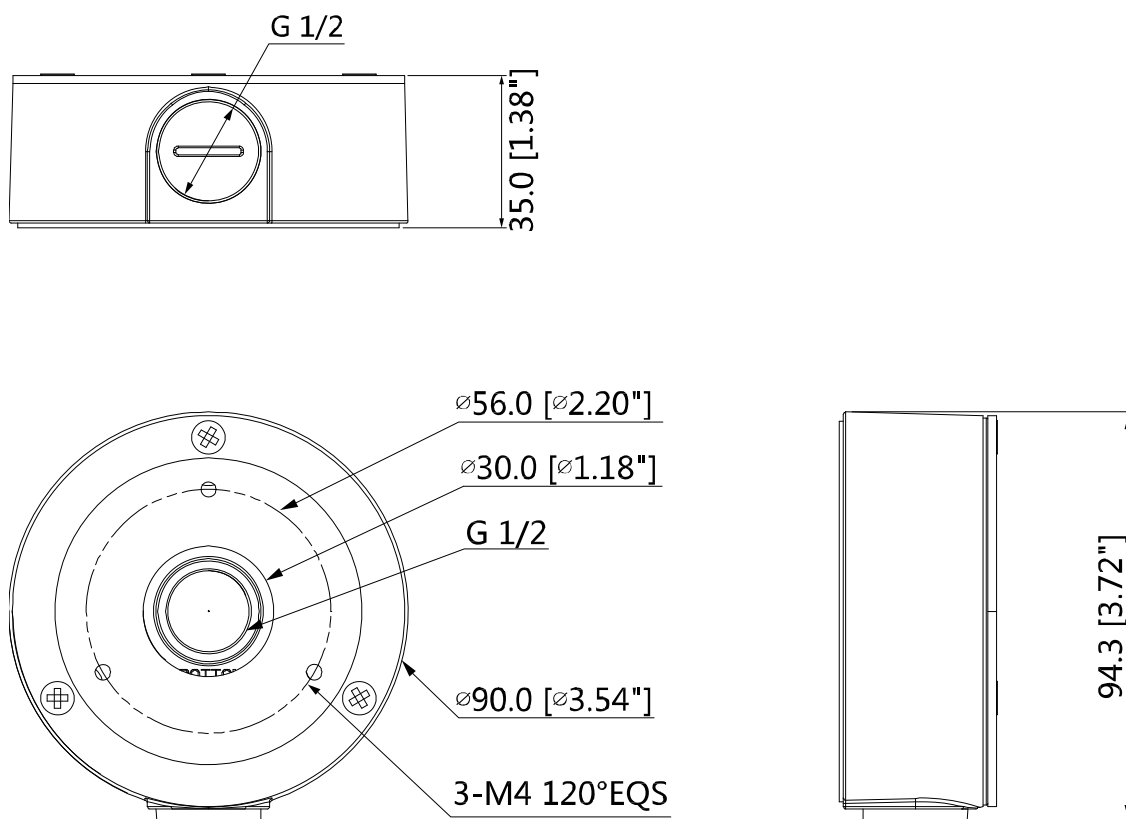
## Technical Specifications

<b>Model</b>	<b>DH-PFA134</b>
<b>General</b>	
Material	Aluminum & SECC
Dimension	Φ90.0mmx35.0mm (Φ3.54"x1.38")
Inch Thread	M20(G1/2")
Load Bearing	1.0kg(2.2lb)
Weight	0.26kg(0.57lb)
Color	White
Operating Temperature	-40°C~+60°C(-40°F~+140°F)
Humidity	0~90% RH
Applicable Model	Please see "Accessory Selection"

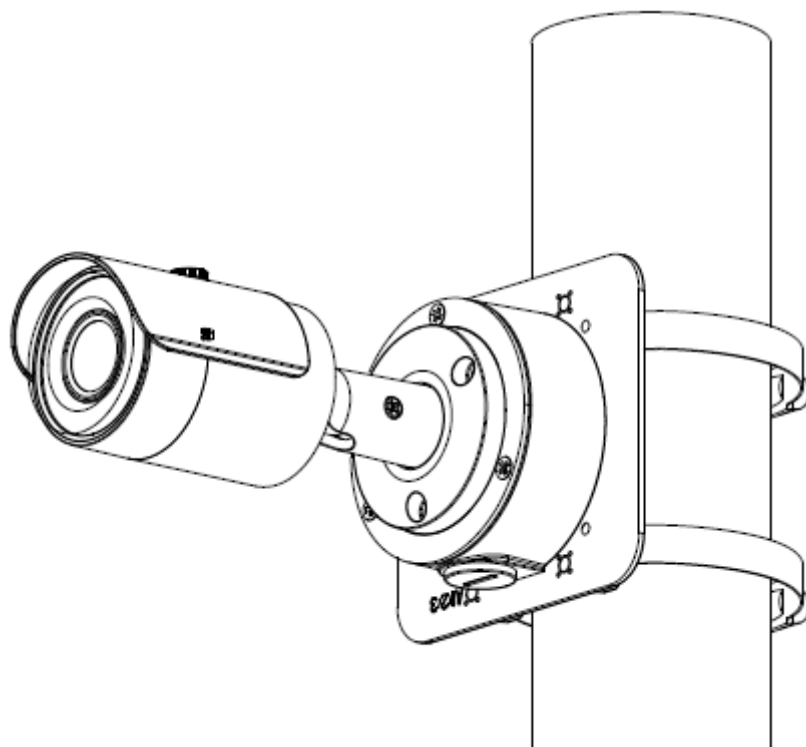
## Order Information

Type	Part Number	Description
Camera Mount	DH-PFA134	Water-proof junction box
	PFA134	Water-proof junction box

## Dimensions (mm/inch)



## Application



## Package Information

- Water-proof junction box \*1
- M4x10 screw \*3
- ST4x25 screw \*3
- Plastic anchor \*3
- Water-proof joint \*1
- Wrench \*1