



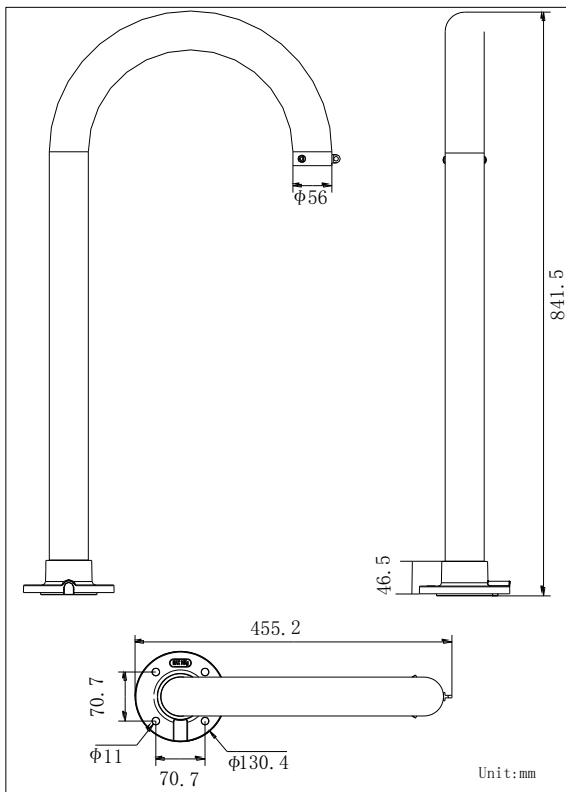
DS-1619ZJ

Swan neck bracket

Features:

- Aluminum alloy and steel tube with surface spray treatment
- Suitable to install on top of poles and walls
- Snap-fit joints, easy to install

Dimension:



Order Model:

DS-1619ZJ

Parameters:

| | |
|------------|-------------------------------|
| Model | DS-1619ZJ |
| Parameters | Swan neck bracket |
| Color | Hik white |
| Feature | Suitable for PTZ dome cameras |
| Material | Aluminum alloy and steel tube |
| Dimension | 455.2×130.4×841.5mm |
| Weight | 6426 g (14.17 lb.) |

Installation steps:

- ① Select a suitable surface for installation and thread the wires.
- ② Loosen two hex screws, align the PTZ dome to the screws on the bracket and rotate 180 degrees.
- ③ Tighten the two hex screws.

